



PUHY-EP600YSJM-A

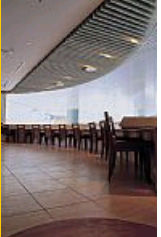
High COP Y Series 24hp Outdoor Unit

R410A Heat Pump

The City Multi Y Series makes use of a two pipe refrigerant circuit throughout, with the choice of either Branch Pipe or Header Pipe feeds to indoor units, with manual changeover from cooling to heating to ensure that a constant indoor climate is maintained.



Pictures not to scale



Product Details

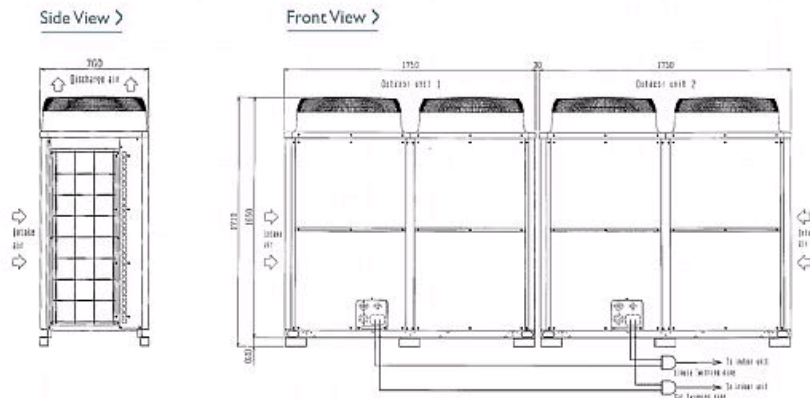
| PUHY-EP600YSJM-A | |
|-------------------------------------|----------------|
| Capacity (kW): | |
| Heating (Nominal) | 76.5 |
| Cooling (Nominal) | 69.0 |
| Heating (UK) | 69.2 |
| Cooling (UK) | 63.5 |
| Power Input (kW) Heating (Nominal) | 17.3 |
| Power Input (kW) Cooling (Nominal) | 16.82 |
| Power Input (kW) Heating (UK) | 19.72 |
| Power Input (kW) Cooling (UK) | 10.6 |
| Max No. of Connectable Indoor Units | 50 |
| Airflow(m ³ /min) | 370 /370 |
| Noise (dBA) | 64 |
| Width - mm | 1750 + 1750 |
| Depth - mm | 760 |
| Height - mm | 1710 |
| Weight - kg | 290 + 290 |
| Electrical Supply | 380-415v, 50Hz |
| Phase | 3 |
| Mains Cable No. Cores | 4 + earth |
| Starting Current (A) | 8 |
| Running Current (A) - Heating | 26.7 |
| Running Current (A) - Cooling | 26 |

Piping Restrictions

| | |
|---|------|
| Total Piping Length (m) | 1000 |
| Furthest Piping Length (m) | 165 |
| Furthest Piping Length after 1st Branch (m) | 40 |
| Between Indoor and Outdoor Units - Height (m) | 50 |
| Between Indoor and Indoor Units - Height (m) | 15 |

Dimensions

PUHY-EP600YSJM-A



Telephone: 01707 282880

Email: air.conditioning@meuk.mee.com Website: <http://www.mitsubishielectric.co.uk/aircon>

Mitsubishi Electric reserves the right to make any variation in technical specification to the equipment described, or to withdraw or replace products without prior notification or public announcement.

Tel:
Fax:

